

Features:

- Parallel redundancy design for power expansion
- Multiple industrial applications that create 1Φ3 ω / 3Φ4 ω power systems
- Automatic master mechanism to eliminate single point failure and optimize reliability
- Built-in ATS and AC circuit breaker
- Optional STS module, transfer time less 4ms.
- RS-232 communication
- Input & output fully isolation
- Output voltage / power saving mode selectable by DIP switch and remote control (CR-10)
- Input Protection: Reverse Polarity (Fuse) / Under Voltage / Over Voltage
- Output Protection: Short Circuit / Overload / Over Temperature / Over Voltage

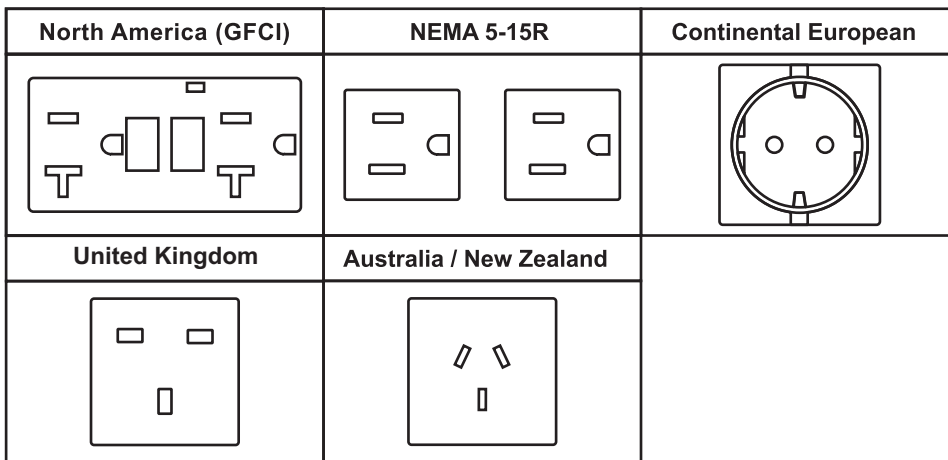


| MODEL | | SD2500-112 | SD2500-124 | SD2500-148 | SD2500-212 | SD2500-224 | SD2500-248 |
|---------------------------------|---|---|--------------|--------------|--|--------------|--------------|
| Output | Rating Power | 2500W (de-rating after 40°C, refer to de-rating curve) | | | | | |
| | Peak Power (3Sec.) | 3000W | | | | | |
| | Surge Power (<0.2Sec.) | 4000W | | | | | |
| | Waveform | Pure Sine Wave | | | | | |
| | Efficiency (Max.) | 88% | 89% | 90% | 88% | 88% | 90% |
| | Output Voltage (@rated VDC) | 100 / 110 / 115 / 120VAC ±3% | | | 200 / 220 / 230 / 240VAC ±3% | | |
| | Output Frequency | 50 / 60Hz ±0.1% | | | | | |
| Total Harmonic Distortion (THD) | < 3% (@rated / VDC, linear load) | | | | | | |
| DC Input | DC Voltage | 12VDC | 24VDC | 48VDC | 12VDC | 24VDC | 48VDC |
| | Voltage Range | 10.0~16.0VDC | 20.0~32.0VDC | 40.0~64.0VDC | 10.0~16.0VDC | 20.0~32.0VDC | 40.0~64.0VDC |
| | No load Power Consumption | @12VDC | @24VDC | @48VDC | @12VDC | @24VDC | @48VDC |
| | On Mode @ Save Mode | 0.9A | 0.35A | 0.3A | 1.1A | 0.7A | 0.4A |
| | On Mode @ No Load Mode | < 2.9A | < 1.4A | < 0.8A | < 3.6A | < 1.8A | < 1A |
| Fuse | 40Ax9 | 20Ax9 | 10Ax9 | 40Ax9 | 20Ax9 | 10Ax9 | |
| AC Input | AC Range | 100 / 110 / 115 / 120VAC±12.5% | | | 200 / 220 / 230 / 240VAC±12.5% | | |
| | Frequency Selectable | 50 / 60 Hz | | | | | |
| | Synchronous Frequency | 47 -57 / 53 - 63 Hz | | | | | |
| | Circuit Breaker | 16A | | | 16A | | |
| Transfer Switch | Standard ATS : Inverter to utility AC:8~10ms.; Utility AC to inverter: 16~50ms. Optional STS mode : <4ms | | | | | | |
| Protection | BAT.Low Alarm | 10.5VDC | 21.0VDC | 42.0VDC | 10.5VDC | 21.0VDC | 42.0VDC |
| | BAT.Low Shut-down | 10.0VDC | 20.0VDC | 40.0VDC | 10.0VDC | 20.0VDC | 40.0VDC |
| | BAT.Low Restart | 12.5VDC | 25.0VDC | 50.0VDC | 12.5VDC | 25.0VDC | 50.0VDC |
| | BAT.High Alarm | 15.5VDC | 31.0VDC | 62.0VDC | 15.5VDC | 31.0VDC | 62.0VDC |
| | BAT.High Shut-down | 16.0VDC | 32.0VDC | 64.0VDC | 16.0VDC | 32.0VDC | 64.0VDC |
| | BAT.High Restart | 15.0VDC | 30.0VDC | 60.0VDC | 15.0VDC | 30.0VDC | 60.0VDC |
| | Input Protection | Reverse Polarity (Fuse) / Under Voltage / Over Voltage Protection / AC over current (Breaker) | | | | | |
| Output Protection | Short Circuit / Overload / Over Temperature / Over Voltage | | | | | | |
| Environment | Working Temp. | -20 ~ +60°C; refer SD2500 power de-rating curve | | | | | |
| | Storage Temp. | -40 ~ +70°C | | | | | |
| | Relative Humidity | Max. 90%, non-condensing | | | | | |
| Safety & EMC | Safety Standards | Meet UL 458 | | | Certified EN60950-1 | | |
| | EMC Standards | Certified FCC Class B | | | Certified EN 55014, EN 61000-3-2, EN 61000-3-3 EN 61000-4-2, 3, 4, 5, 6, 11 | | |
| Control & Signal | LED Indicator | Input voltage level, output load level and faulty status | | | | | |
| | Remote control | CR-6, CR-8 and CR-10 | | | | | |
| Others | Dimension (WxHxD) | 283x128.4x436 mm / 11.146x5.056x17.165 inch | | | | | |
| | Weight | 8 kg | | | | | |
| | Cooling | Load & Thermal control fan | | | | | |
| | Communication Port | RS-232 (RJ-11 type connector), Ethernet (optional) | | | | | |

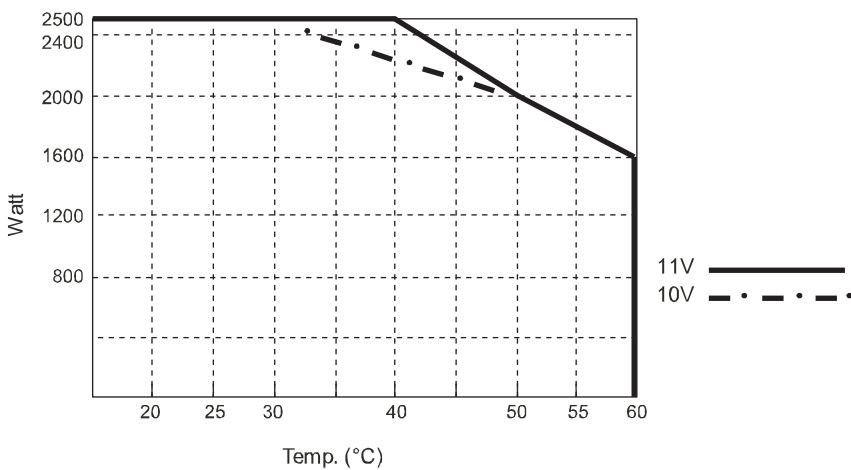
LED Status:

| Status | LED Signal |
|--------------------------|------------|
| Power on | — — — |
| Normal | ————— |
| Saving mode | — — — — — |
| O/P overload (100%~115%) | ————— |
| O/P short circuit | ————— |
| Over temperature | — — — — — |
| Shut down high battery | — — — — — |
| High battery | — — — — — |
| Low battery | — — — |
| Shut down low battery | — — — |
| Fan failure | — — — — — |
| AC input | — — — — — |

Output Socket:



De-rating Curve:



Mechanical Drawings:

Unit : mm [inch]

